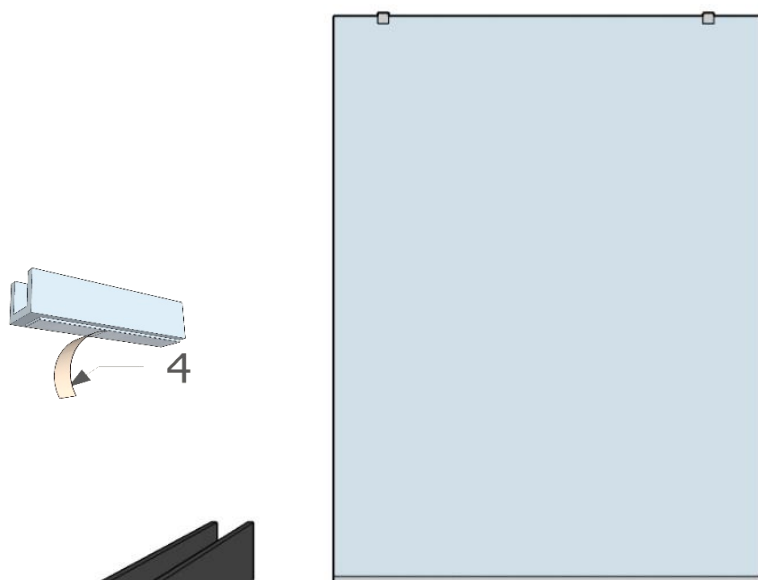




A

	A
1000 x 2000	965
1100 x 2000	1065
1200 x 2000	1165
1300 x 2000	1265
1400 x 2000	1365
1500 x 2000	1465
1600 x 2000	1565



X2

